

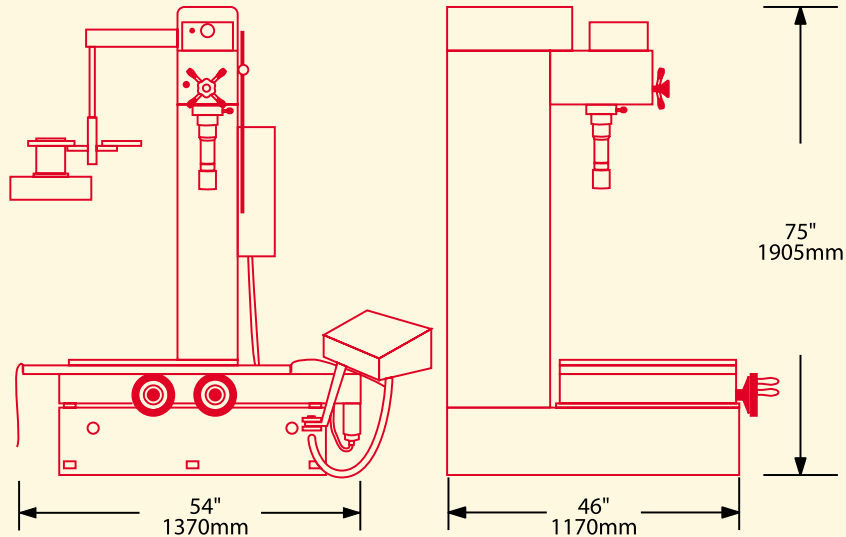
- Designed for automotive and high-performance machining
- Bore and mill with no change set-up
- It is ideal for high-performance work or whenever great precision is required.
- Production ready comes with boring spindles, tooling, set-up fixtures and CBN milling cutter head.
- 36" table traverse to mill all common blocks, heads and manifolds.
- Bores the full range of automotive and light truck blocks.
- Compatible with the BHJ "Blok-Tru" giving you the correct specs.
- Includes set-up fixtures for i-line, plus 60° and 90° V-blocks.

1-800-533-8008

710 E. 17th St. Wichita, Kansas 67214
Phone: 316-219-3500 Fax: 316-265-0013
sales@winonavannorman.com

Model: VB120

VERTICAL BORING AND MILLING MACHINE


Specifications:

Boring Range	2.04-6" (52-152mm)
Max. Vertical Travel	23" (584mm)
Spindle to Column	13.2" (335mm)
Spindle Speed	0-700 RPM
Spindle Feeds,	0-4.75 IPM (0-120.6mm/m)
Table Travel Feed	0-215 IPM (0-546mm/m)
Max. Longitudinal Travel, Table	36" (914mm)
Max. Traverse of Table	4.7" (119.38mm)
Main Motor Power	2 HP
Length	54" (1370mm)
Width	46" (1170mm)
Height	75" (1905mm)
Net Weight	2700 lbs. (1224 KG)
Shipping Weight	3100 lbs. (1406 KG)

CDHcbU Equipment:

<u>Part No.</u>	<u>Item</u>
818548	Toolholder 1.31" (33.2mm)
818547	Toolholder 2.00" (50.8mm)
867805	Equipment to Bore
	3.12-6.00" (79-152mm)
819024	Spindle (Quick Change)
814814	Boring Head 3.12" (50.8mm)
864700	Toolholder 2.00" (50.8mm)
864699	Toolholder 2.50" (63.5mm)
864698	Toolholder 3.00" (76.2mm)
867804	Workpiece Mounting Fixtures
	for Heads and Blocks.
818446	Spindle Storing/Loading Fixture
	Service Tools
	Toe Clamp Set
	Edge Clamp Set

Optional Equipment:

<u>Part No.</u>	<u>Item</u>
819044	#30 NMT/180DA Collet Chuck
819045	180DA Collet Set 1/4-3/4", 17 pcs.
819046	1/4-3/4" Collets, each
819062	1/4-3/4" Collets, each

The following toolholders suit 3" and larger boring heads

Chamfering Toolholders:

<u>Part No.</u>	<u>Item</u>
814856	2.5" (63.5mm) Long
814859	4" (101.6mm) Long

Boring Toolholders:

<u>Part No.</u>	<u>Item</u>
864699	2.5" (63.5mm)
864698	3" (76.2mm)
864697	3.5" (88.9mm)
864695	4" (101.6mm)
819106	Blind Hole Offset Toolholder
	2.87" (72.89mm) Long
819107	Setting Fixture (for Offset Tool)
819108	insert Offset Toolholder
819184	"O" Ringing Toolholder
819185	"O" Ringing Toolbit

VB120 Vertical Boring Machine:

Vertical Boring Machine with surfacing equipment including variable speed table traverse.

<u>Part No.</u>	<u>Item</u>
818340	230V, 60Hz, 1PH
818341	380V, 50Hz, 1PH

CDHcbU Equipment:

<u>Part No.</u>	<u>Item</u>
818419	CBN Milling Head and Spindle
818255	CBN Milling Head
819025	Spindle 12" (Quick Change)
865499-1	Indicator Assembly
818417	Equipment to Bore
	2.04-3.34" (52-86mm)
818517	Boring Head 1.97" (50mm)
819023	Spindle (Quick Change)

Optional Equipment:

<u>Part No.</u>	<u>Item</u>
818413	Depth Dial Indicator Assembly
814634	Boring head 4.75" (120.6mm)
864696	Boring Insert
865346	CBN Milling Cutter Inset
866152	Milling Cutter Inset
	for Aluminum
866153	Lock Pin for Aluminum Insert
818414	Equipment to Bore
	1.18-2.05" (30-52mm)
818361	XYZ Digital
	Readout Assembly
867580	#30 Milling Taper Spindle (Bolt)
819013	#30 Milling Taper Spindle (q.c.)