



Designed for both boring and grinding
Grinding movement adjustable during operation
Low voltage electrical control system
Variable boring spindle speed with digital readouts (0 - 1200 RPM)

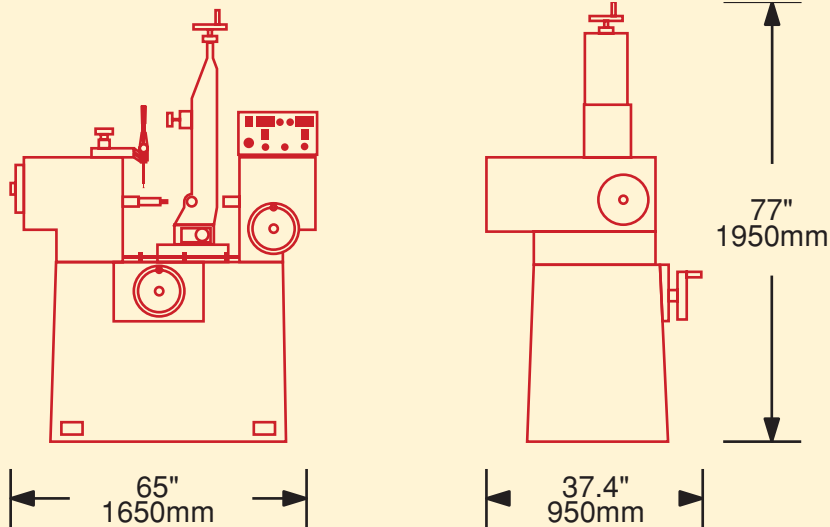
Variable horizontal speed (0-180 ipm)
Square support for horizontal movement
Micrometer for grinding wheel
Coolant system with electric pump

1-800-533-8008

710 E. 17th St. Wichita, Kansas 67214
Phone: 316-219-3500 Fax: 316-219-3510
sales@winonavannorman.com

ROD BORING MACHINE

Model: RB800



Specifications:

Spindle - Table Distance	5.9" (150mm)
Min. Boring dia.	0.6 (15mm)
Max. Boring dia.	6.3 (160mm)
Min. Grinding Distance	1.18 (30mm)
Max. Grinding Distance	6.3 (160mm)
Min. Center Distance	3.15 (80mm)
Max. Center Distance	25.6 (650mm)
Spindle Rotation Speed	0 - 1200
Grinding Wheel Rev.	80 - 160 RPM
Grinding Wheel Rotation	3300 - 4400 - 5300 - 6300 - 7500 - 9000 RPM
Variable Table Speed,	0 - 180 IPM
Grinding Movement	0.47 (12mm)
Max. Table Traverse	16.54 (420mm)
Table Traverse Motor	0.1HP (0.1KW)
Tool Rotation Motor	2HP (1.5KW)
Rotation Motor	1.4HP (1.1KW)
Revolution Motor	0.7 - 1.3HP (0.5 - 1KW)
Dimensions	
Length	65" (1650mm)
Width	37.4" (950mm)
Height	77" (1950mm)
Net Weight	2140lbs (970kg)
Weight w/ Packing	2425lbs (1100kg)

Standard Equipment:

Part No.	Item
801141	1 Gallon of Coolant Additive
819351	Grinding Wheels/Cast Iron (7)
819352	Grinding Wheels/Steel (7)
819311	Centering Device w/Dial Indicator
819312	Tool Setting Device
819313	Calibrating Device
819314	Rod Pins (5)
819315	Set of Centering Cones
819316	Set of 8 Boring Tools
819317	Base Cabinet
819318	Service Tools
819319	Expanding Arbors (3) Range 0.091 to 6.3 inches
819320	Grinding Mandrels (2) Range 1.18 to 6.3 inches
819321	Boring Mandrels (2) Range 0.55 to 2.28 inches
819322	Square w/Mounting Pin for Clamping Rods

Optional Equipment

817148	Dial Indicator 1.38"-4.13"
819084	Tool Lapping + Sharpening Unit
817138	XL Boring Head 4.13"-6.29"
818361	XYZ Digital Readout Assembly

WVN offers a broad range of rod reconditioning equipment.