

PRODUCT INFORMATION

**Model: HT100
HOT TANK**

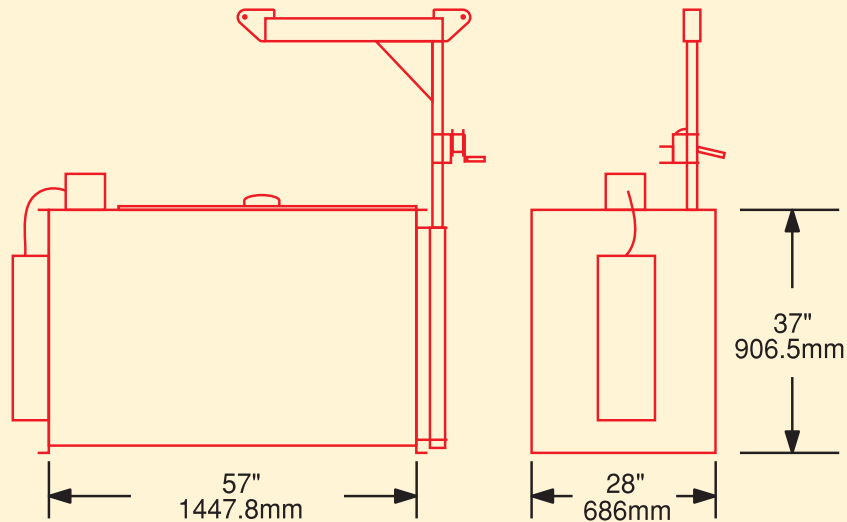


- 100 Gal solution capacity
- 6 Kw electric heat for fast heat-up
- Constructed from heavy-duty 10-gauge, with 14-gauge insulation skins
- Fully insulated tank and lid for better heating efficiency
- Removable bottom crate for easy clean out
- 1/2 HP. Agitation motor for faster more thorough cleaning
- Thermostat for temperature control
- Large 22 x 34 inch basket holds 1 block and 2 heads
- 500Lb. Weight capacity

1-800-533-8008

710 E. 17th St. Wichita, Kansas 67214
Phone (316) 219-3500 Fax: (316) 265-0013
sales@winonavannorman.com

**Model: HT100
HOT TANK**



Specifications:

Electrical
Weight

**220 Volt 1ph
472 lbs (214 KG)**

Optional:

Seven Day Timer
Boom and Hoist

